

4

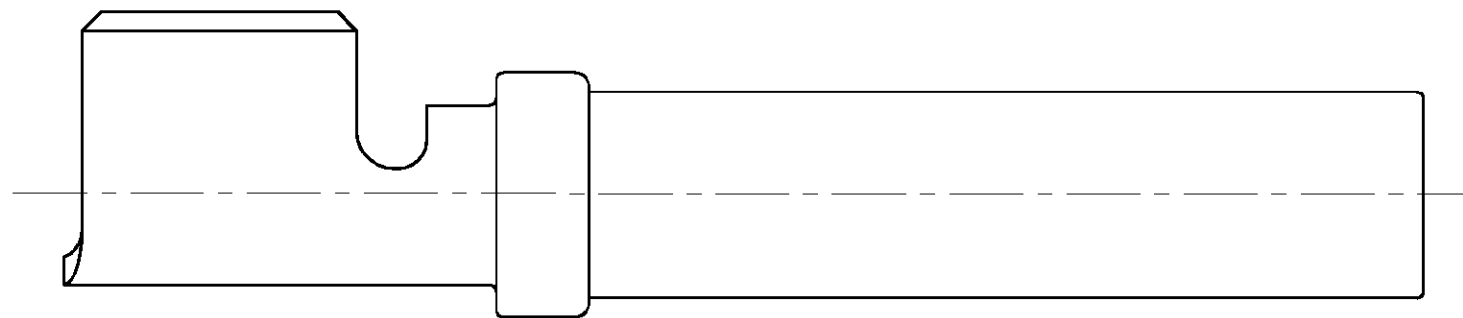
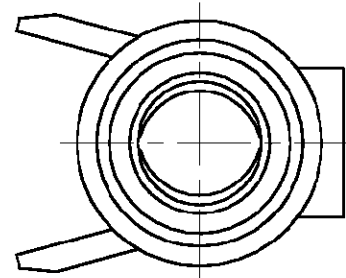
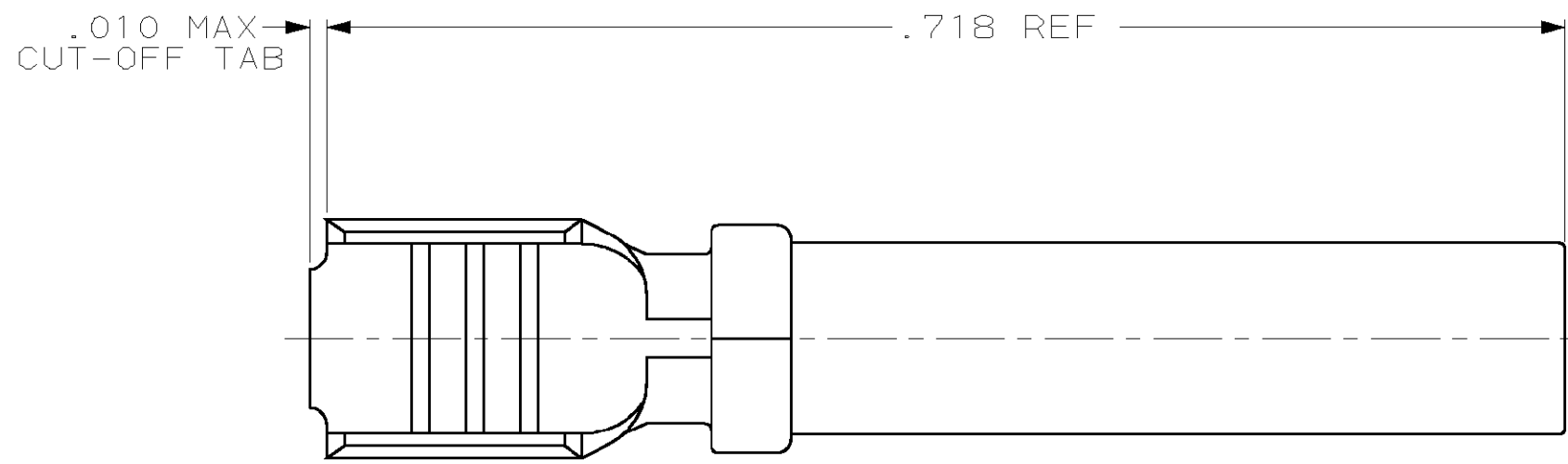
3

2

1

THIS DRAWING IS UNPUBLISHED. RELEASED FOR PUBLICATION .19  
 BY AMP INCORPORATED. ALL RIGHTS RESERVED.

LOC	DIST	REVISIONS			
P	LTR	DESCRIPTION	DATE	DWN	APVD
0		REL PER PR# 99-7	2-17-99	PC	WL
A		REV PER EC 0K40-0013-01	24AUG01	AG	MT



1. WIRE RANGE: 18-14 AWG

776297

LOOSE PIECE VERSION OF 638090-2	NICKEL	776297-2
LOOSE PIECE VERSION OF 638090-1	GOLD	776297-1
DESCRIPTION	FINISH	PART NUMBER

THIS DRAWING IS A CONTROLLED DOCUMENT.		DWN P. COLLINS 2-17-99	AMP Incorporated Harrisburg, PA 17105-3508	
DIMENSIONS: mm		CHK W. LONG 2-17-99		
		APVD S. MARPOE 2-17-99		
TOLERANCES UNLESS OTHERWISE SPECIFIED:		NAME	ASSEMBLY, SOCKET LOOSE PIECE	
0 PLC ±-	1 PLC ±-	PRODUCT SPEC	-	
2 PLC ±0.5	3 PLC ±0.13	APPLICATION SPEC	-	
4 PLC ±-	ANGLES ±-	WEIGHT	-	
MATERIAL	FINISH	CUSTOMER DRAWING	SIZE A2	CAGE CODE 00779
			DRAWING NO G= 776297	RESTRICTED TO -
			SCALE -	SHEET 1 OF 1
			REV A	

AMP 1471-9 REV 11 JUN 97